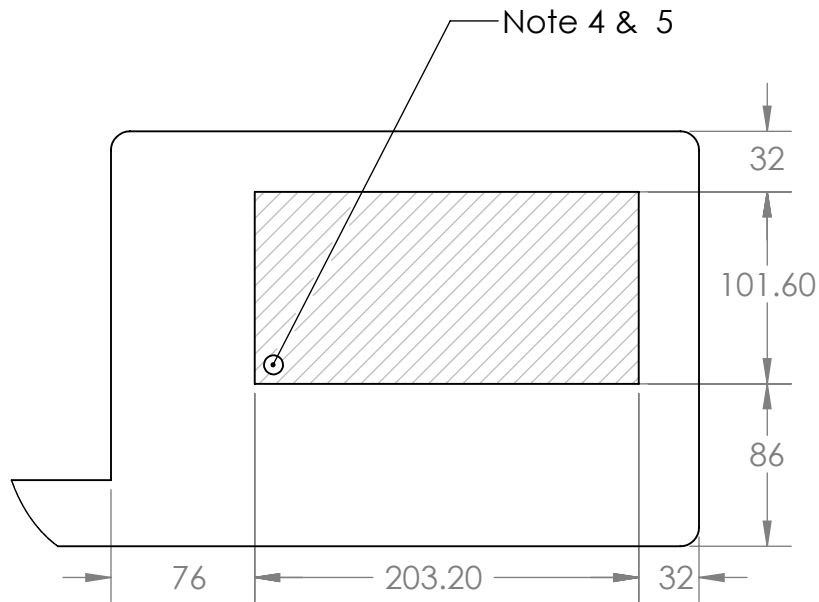


REVISIONS

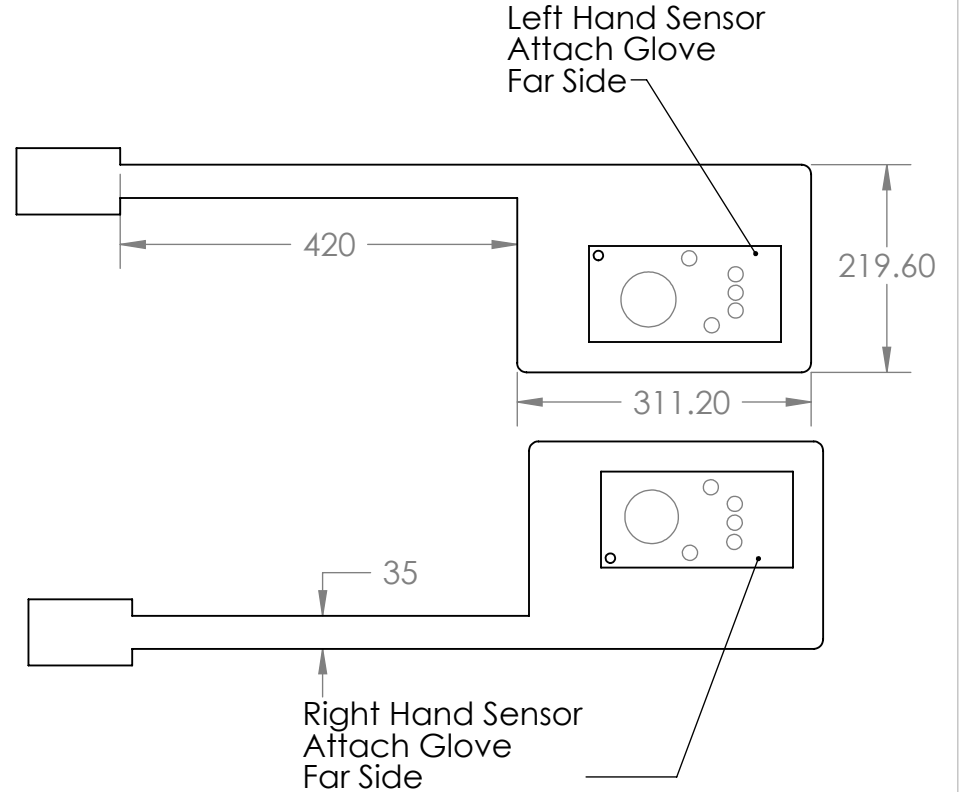
ZONE	REV.	DESCRIPTION	DATE	APPROVED
	1	Initial release	Sept. 12th 2010	PFH
	2	Updated dimensions per new wire bond process	Jan. 26th 2011	PFH

Notes:

1. Resolution : 5.08mm (0.20")
2. Cal Range: 0.2-30psi
3. Cover Material: Black Polyester
4. Pressure image origin location.
5. Crosshatched (sensing) area will be visibly outlined on sensing side of polyester cover.



Sensor Pad Detail



<p>PROPRIETARY AND CONFIDENTIAL THE INFORMATION CONTAINED IN THIS DRAWING IS THE SOLE PROPERTY OF XSENSOR. ANY REPRODUCTION IN PART OR AS A WHOLE WITHOUT THE WRITTEN PERMISSION OF XSENSOR IS PROHIBITED.</p>	<p>UNLESS OTHERWISE SPECIFIED: DIMENSIONS ARE IN MM [INCHES]</p>	<p>COMMENTS: General Tolerance +/- 6.35mm</p>	NAME	DATE	<p>PX200.20.40.05 LEFT AND RIGHT SIDE MITT SENSOR</p>	
			DRAWN	PH		12-SEPT-2010
			ENG APPR.	PH		12-SEPT-2010
			MFG APPR.			
			Q.A.			
			SIZE	DWG. NO.	REV	
			A	PX200.20.40.05	2	
			SCALE: 1:7		SHEET 1 OF 1	